

(TPH-1016) TELE-POD HEAD INSTRUCTIONS

PARTS LIST

•Tele-Pod Head (TPH-1016) •Small-Parts Bag includes: (2) studs for scope attachment, (2) Plastic knurled knobs, (2) Allen Keys [1/8" and 5/64"], (1) Mount Handle

INTRODUCTION

Thank you for purchasing the Tele-Pod Head. An easy to use, telescope head for your camera tripod, providing smooth, balanced alt-az motion. It is perfect for our lighter weight scopes and will work fine with our larger scopes at moderate powers. The head can be outfitted with encoders (STN-4001) for Digital Setting Circles / Computers and Eyepiece Caddy Set for maximum viewing pleasure.

COMPONENTS

The Tele-Pod head supports the scope and provides vertical and horizontal motions. It features smooth operating altitude and azimuth bearings with tension adjustments and a Delrin scope stop in case the objective end accidentally "nose-dives." Both 3/8"-16 and 1/4"-20 attachment holes are provided on the bottom of the azimuth bearing.

SET-UP

WARNING: If setting up on a slope, ensure that the tripod legs are extended so that the head is approximately level with the horizon. Failure to do so could cause the telescope to tip over! This risk increases when using larger, longer scopes.

1) Thread the two 1/4"-20 studs into the end holes on the bottom of your Tele Vue telescope mount ring. Snug tight using the supplied Allen key.

2) Thread the Tele-Pod Head onto your tripod using the appropriate tapped hole in the bottom plate of the azimuth bearing. Many tripods with removable camera heads have locating set-screw(s) in their bases. Tighten the set-screw(s) to secure the Tele-Pod Head to keep it from accidentally unscrewing itself from the tripod base.

If your tripod does not have set-screws, we suggest you place some cork gasket material between the tripod and Tele-Pod head to provide friction between the two parts. Make sure the head is threaded very tightly onto the tripod. As you use your scope, periodically check that the Tele-Pod Head is firmly attached to the tripod.

You can use the 5/64" Allen to lock a 3/8" head mount screw by tightening the lower set screw on the azimuth bearing plate.

3) Extend each tripod leg so that the Tele-Pod head is at the desired height and approximately level with the horizon.

4) If you have a mount handle, refer to the handle instructions to attach it to the head.

5) With the cradle approximately level, set your telescope down within it so that the studs pass through the clearance holes.

6) Lock the scope to the cradle with the supplied knurled knobs.

USE

1) Place eyepiece in scope.

2) Apply slight and equal tension to the altitude bearings using the altitude tension knobs.

3) Swing the scope up approximately 45° and check balance. If the scope wants to swing back down, slide it back until balance is achieved. If the scope wants to swing up, slide it forward until balance is achieved.

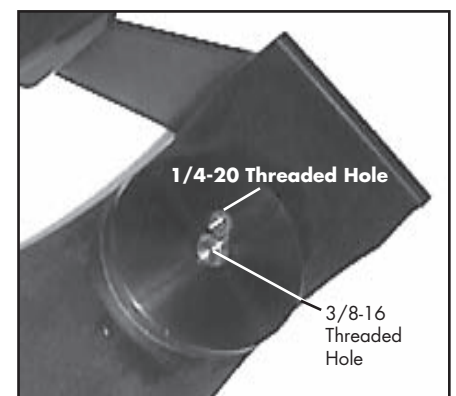
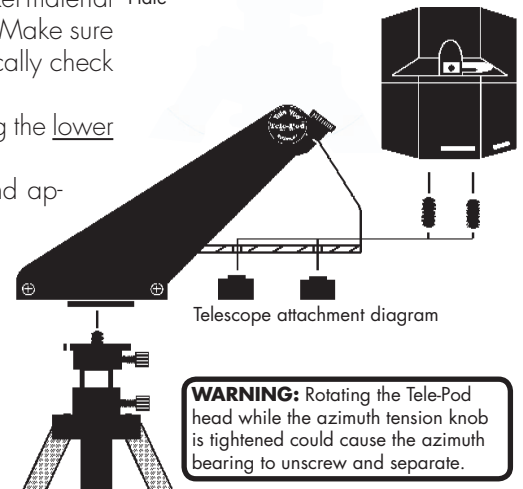
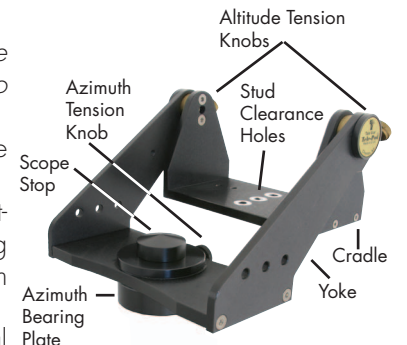
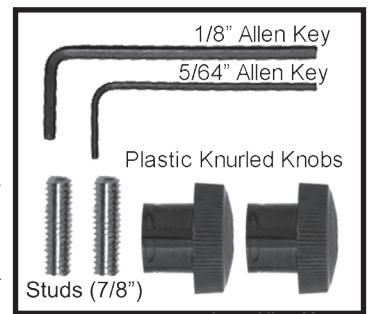
4) Swing the cradle and apply tension to achieve the desired feel. Extra tension can be used to overcome a minor out-of-balance condition. However, excessive tension will cause the movement to be "jerky." Severe overtightening to counter an out-of-balance condition could strip the threads in the mount head.

5) The basic azimuth tension is set at the factory and should not be readjusted. Additional azimuth tension can be applied by tightening the azimuth tension screw.

6) The most stable way of slewing your scope is by grasping a fixed part, (i.e. focuser body) or mount handle. Slewing the scope by the diagonal could cause image shift when you release.

7) When changing eyepiece, it is advisable to first lock one of the altitude tension screws tight before removing the eyepiece from the telescope. Once you have changed eyepieces, loosen that altitude tension screw to resume normal movement.

Parts Bag Contents



Bottom view